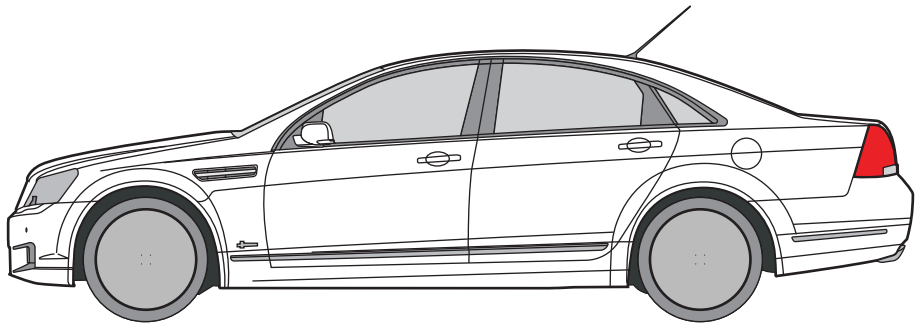
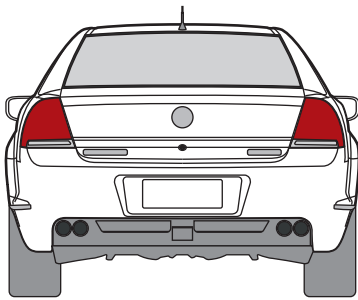
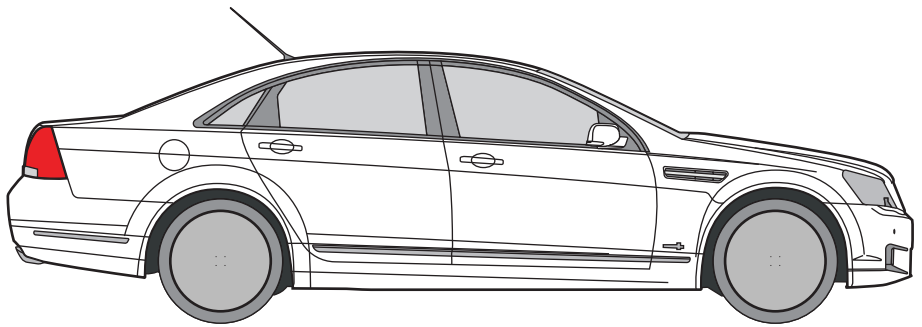
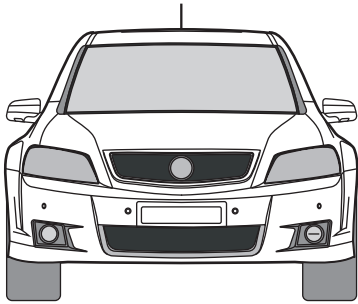




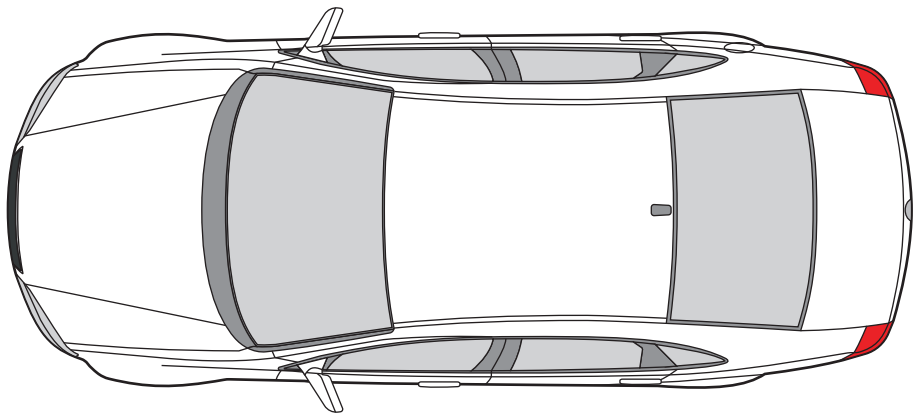
Avery Dennison® Vehicle Installation Pre-inspection

Clients Name:		
Date:	Registration:	
Year:	Make:	Model:



Damage Legend:

- B - Broken
- C - ClearCoat
- D - Dent
- L - Loose
- P - Paint
- R - Rust
- S - Scratch



Comments:

Clients Signature:
Installers Signature: Date: